

Instruction manual

C15-1640-W0

Dynamic Cart F-1 (One pair)

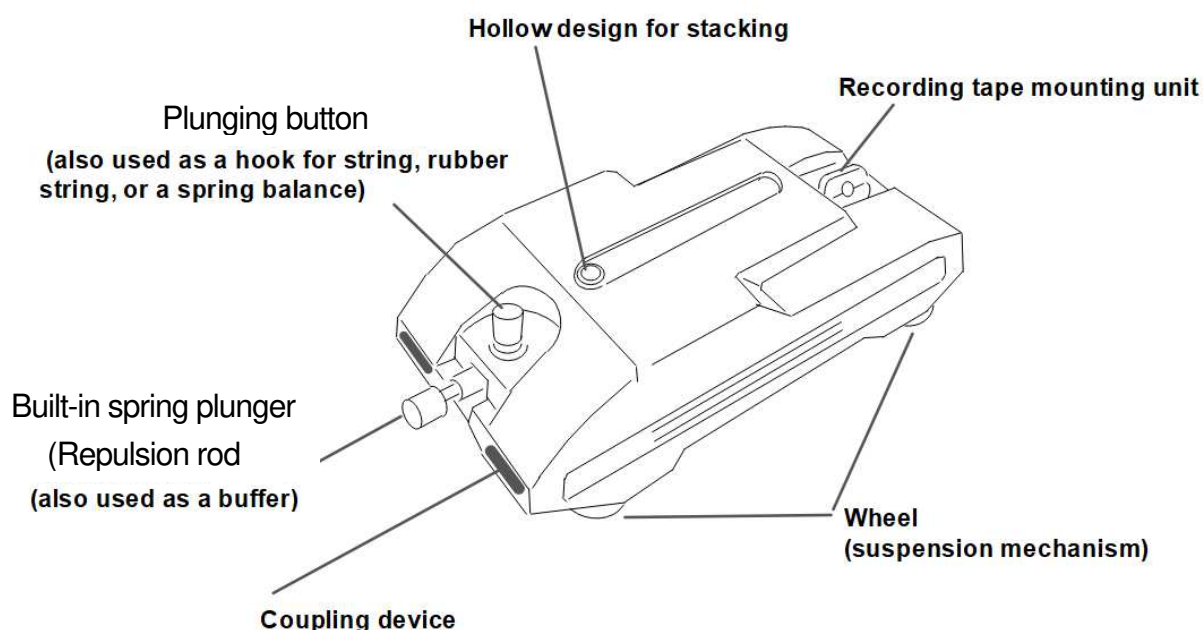


Jan. 2022

Purpose

Observation of uniform motion, motion with acceleration, collision, repulsion, etc. This apparatus can also be used for observing the laws of inertia, conservation of momentum, etc. in combination with a recording timer or a strobe unit.

Function of each part



Instruction Guide

1. How to affix one end of a timer tape on the cart:

Insert one end of a timer tape into the gap of the clamping screw of the unit after loosening it by one turn, and then fixing the tape by tightening the screw.

2. Coupling two carts:

Perfect setting for experiments of law of conservation of (linear) momentum can be created by doubling the mass of the cart by connecting two carts facing each other by Velcro. Make sure the built-in spring plungers of both carts are fully stored.

3. How to set up built-in spring plunger:

Screw/unscrew the repulsion rod to adjust the force applied to the spring. The built-in spring plunger will be set up after being pushed in. Unless easily being pushed in, slide the repulsion rod upward.

[Caution]

When the built-in spring plunger is set up, do not to bring your face or body close to it and (Alert your students likewise). After use or when storing, make sure the built-in spring plunger is de-activated.

3. Stackable design:

Stackable if a cart mounts another one, in the opposite direction by 180 degrees, by fitting the cavity on top of the lower cart to the protrusion on the bottom surface of the upper cart, in which way the whole mass of the combined carts can easily be doubled and tripled.

