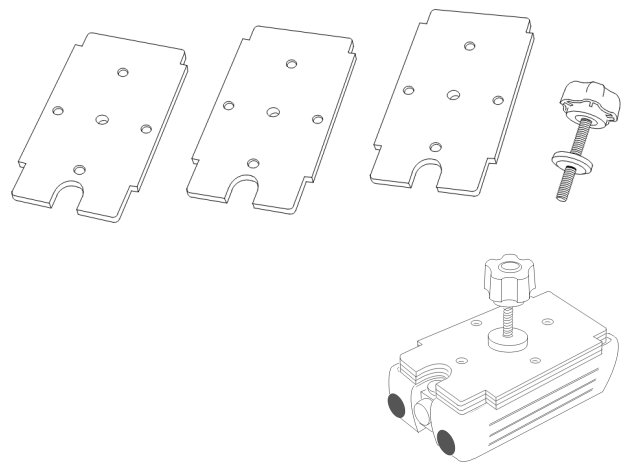


C15-1624-W1

Optional Weights for Dynamic Cart F-2



[Product Description]

This optional weight (0.5kg) is dedicated to Narika's Dynamic Cart F-2, increases the mass of the Cart F-2 with collapsing prevention bumps and hollows and a fixing fibrob knob bolt, and supports students' safe experiments.

[Overall Advantages to Users]

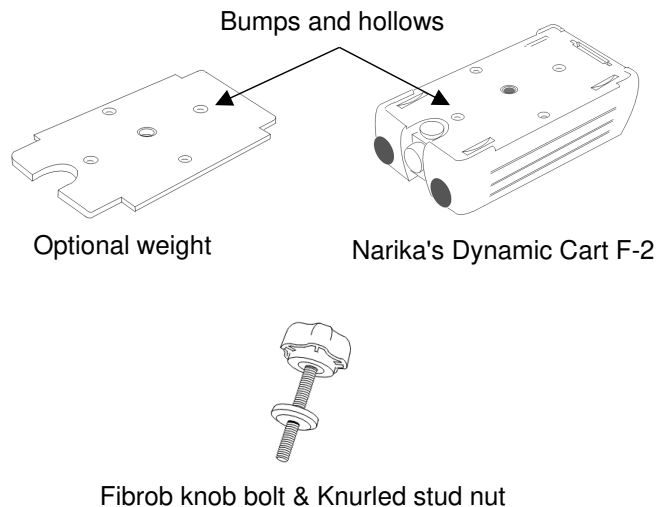
- ✓ A combination of this weight and the dynamic cart F-2 ensures the safety of users in an experiment by having a bumps-hollows mechanism for positioning itself on the cart F-2 and a fixing fibrob knob bolt to prevent it from slipping down from the cart F-2.

[Caution]

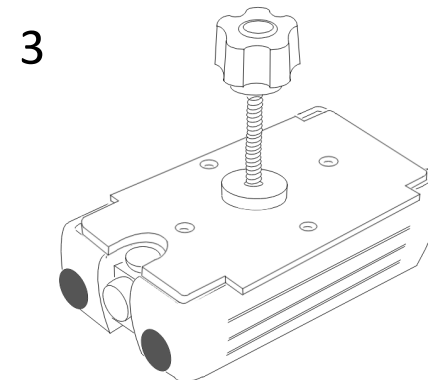
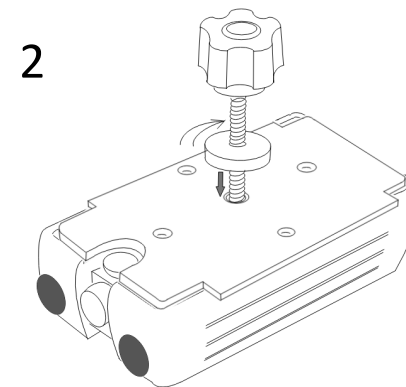
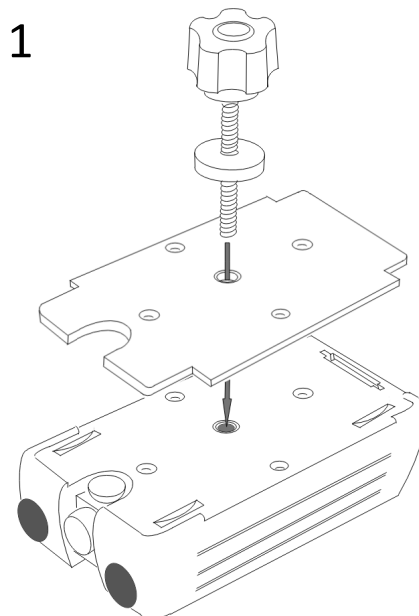
- ✓ Make sure that the position (bumps and hollows or up and down) of the weight on the cart is correct.
- ✓ Make sure to fasten the weight with the knurled stud nut of the fibrob knob bolt before starting experiments.

[Specifications]

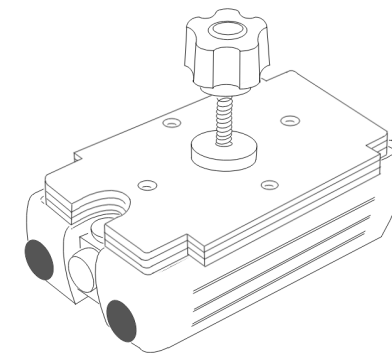
- Optional weight: 500 g x 3, 135 x 70 x t 6 mm
- Fibrob knob bolt: U ¼ x 55 mm with a knurled stud nut



[How to setting up]



For using three weights



[Keywords]

- *Dynamic Cart F-2
- *Weights